

Omni-ID® Adept 1200G

Omni-ID's Windshield Label Tag, the Adept 1200G is the perfect solution to optimize vehicle asset management operations. When attached to glass surfaces, the superior read performance of the Adept 1200G assures reliability and accuracy. As standard, an integrated tamper-evident feature renders the product inoperable if removed after application.



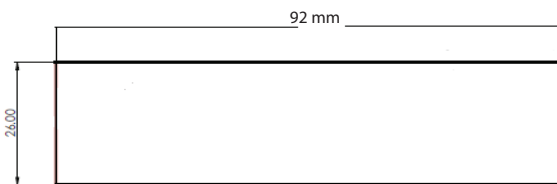
Building Intelligent Supply Chains

Vehicle asset management and control can take many forms:

- ▶ Parking Permits
- ▶ Vehicle Access Control
- ▶ Vehicle Registration

Physical Specifications

Material	Paper
Size (mm) (tolerance)	92 x 26 x 0.2 +/- 0.5
Size (in) (tolerance)	3.61 x 1.02 x .007 +/- 0.02
Reel Core inner diameter	76mm or 3"
Outside roll diameter	203mm or 8"
Pitch on reel	31.75mm or 1.25"
Weight (g)	1



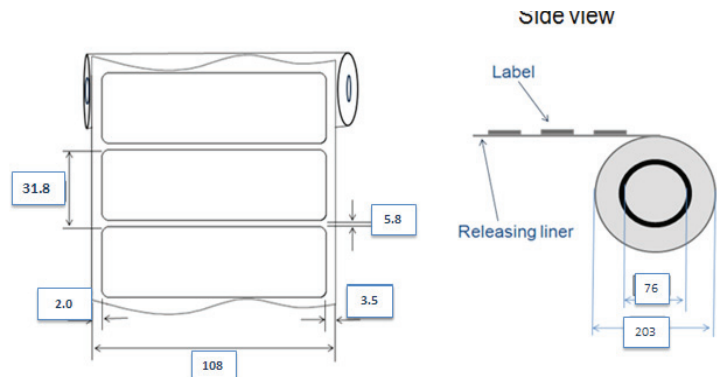
Dimensions stated in mm

RF Specifications

Protocol	EPC Class 1 Gen2
Frequency Range (MHz)	866-868 (EU) 902-928 (US)
Read Range (Fixed reader) ¹	Up to 12.0m (39 ft)
Read Range (Handheld reader) ¹	Up to 7.0m (22ft)
Material Compatibility	Glass
IC Type (chip)	Alien Higgs3
Memory ²	EpC - 96bit User - 512bits TID - 64bits

1. Quoted performance achieved using standard testing methodology. Read range will vary with reader hardware and output power.

2. EPC and User memory are reprogrammable, TID is locked at point of manufacture.



Windshield Tag - Adept 1200G

Options for Personalization

- ▶ Inkjet and thermal transfer printable on one side.
- ▶ Two sided artwork is a custom option to accommodate all customer needs.
- ▶ Data Encryption.
- ▶ Human readable printing (barcodes, text, etc...).
- ▶ Delivered in reel format with the ability to be encoded.



Tamper Evident Feature

Environmental Specifications

Operating Temperature -40 ° to +70 °C

Long term Max Temperature ¹ +70 °C
exposure - (days,weeks,years)

Short term Max Temperature ¹ +85 °C
exposure - (minutes,hours)

Shock and Vibration MIL STD 810-F

Attachment Film adhesive (std)

Certifications RoHS approved
CE approved

Warranty 1 year

1. Excludes adhesive options, consult adhesive data sheets for recommended temperature ratings.
2. Testing methodology available on request

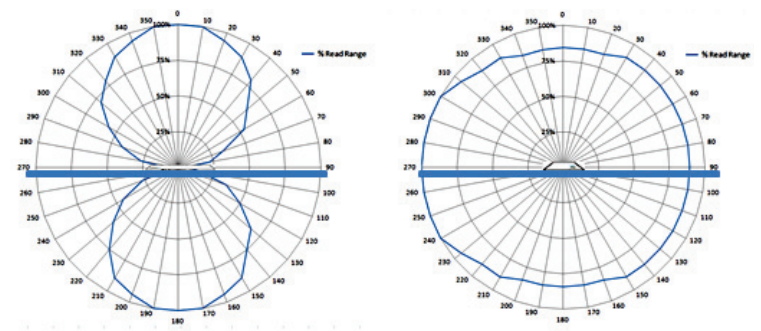
Ordering Information

Order Numbers 088- EU or US (product reference)
:701 (Standard Service Bureau)
:704 (Custom Service Bureau)

Supply Format 500 Labels per roll

Radiation Patterns

On Glass



Omni-ID office locations: US | UK | China | India | Southeast Asia
For product or technology inquiries email: sales@omni-id.com